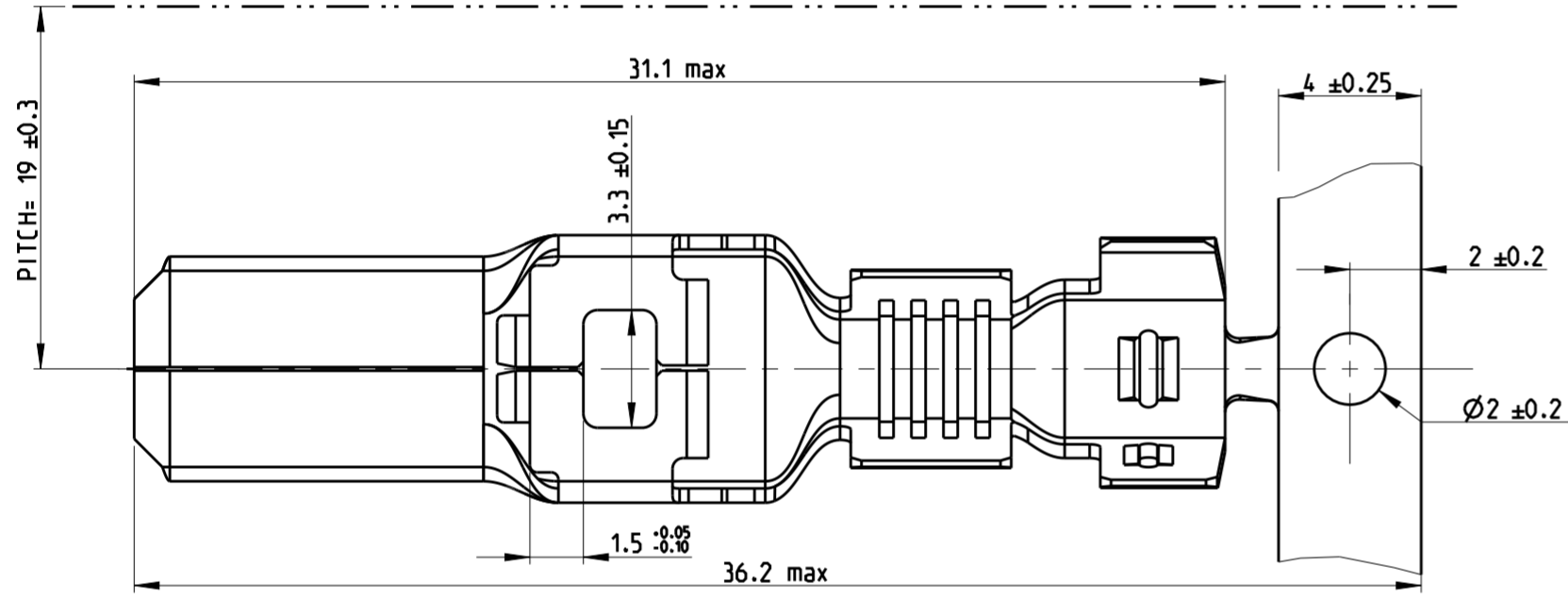
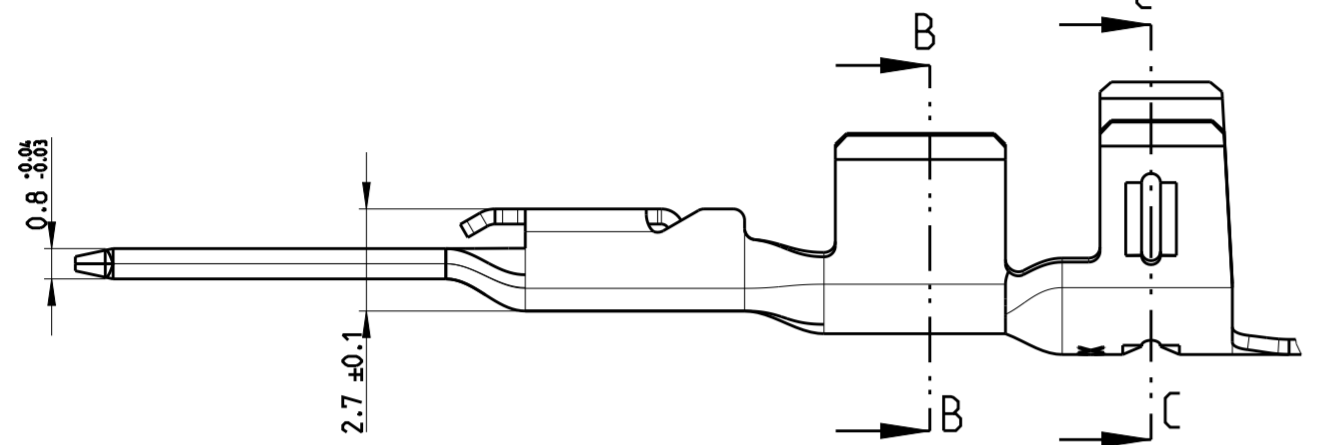
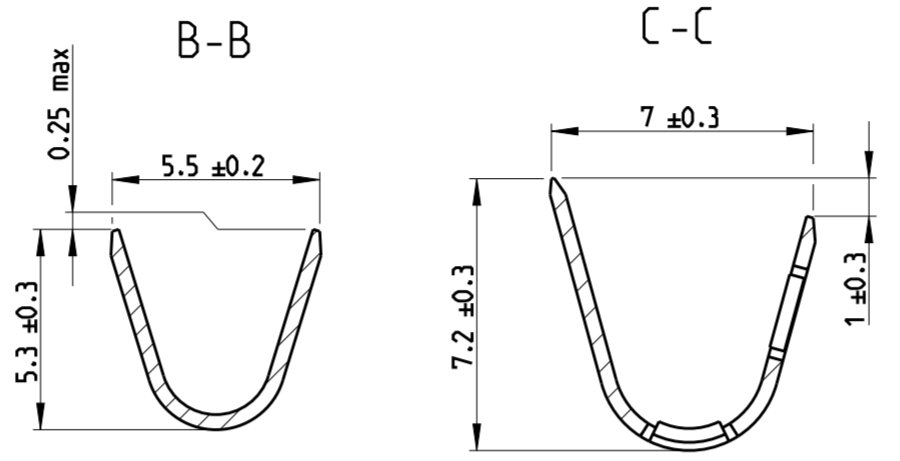
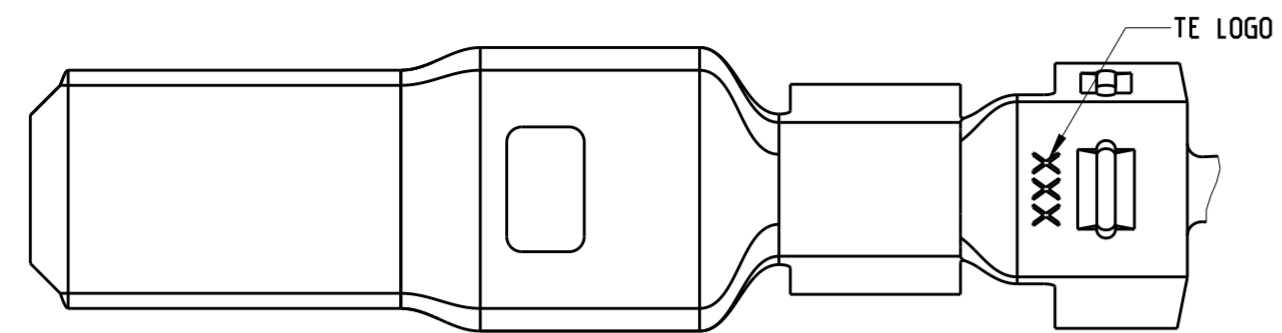


THIS DRAWING IS UNPUBLISHED. RELEASED FOR PUBLICATION 20
 © COPYRIGHT 20 BY - ALL RIGHTS RESERVED.

REVISIONS					
P	LTR	DESCRIPTION	DATE	DWN	APVD
1		INITIAL REVISION	25JAN2018	J.G	I.Y
2		REVISE	06NOV2019	J.G	E.J

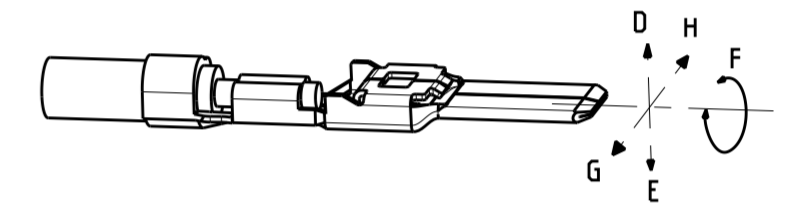
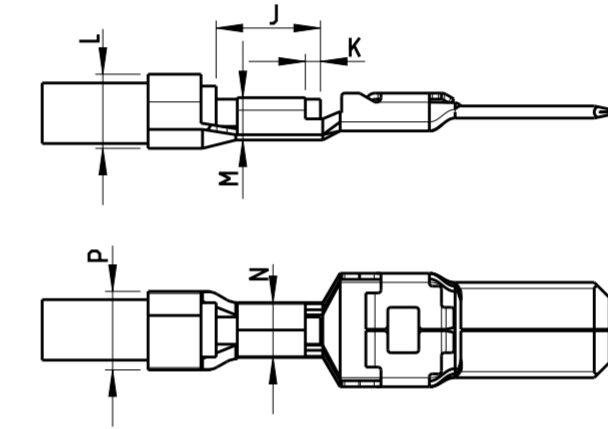
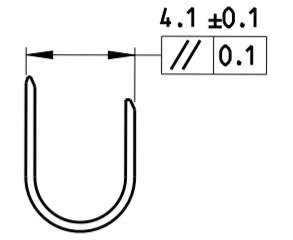
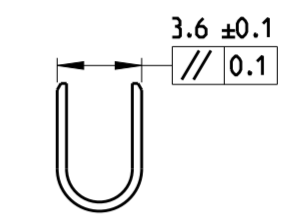
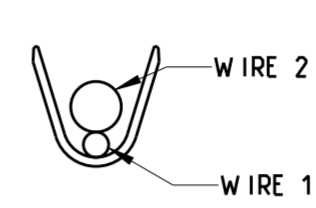


CRIMPING

SEVERAL WIRES

NATURAL CONDUCTOR WIDTH

NATURAL INSULATION WIDTH



CONTROL NOTICE OF CRIMPING TERMINAL

CHARACTERISTICS TO CHECK		VALUE	ITEM
DEFORMATION AFTER CRIMP	UP BENDING	<2°	D
	DOWN BENDING	<2°	E
	TWIST	<5°	F
AXIAL DEFORMATION		<2°	G-H
STRIPPING LENGTH		6.5 ^{+0.5} ₀	J
WIRE EXCESS		0.3 ^{+0.5} ₀	K

CRIMP PARAMETERS

SECTION	WIRE	WIRE CRIMP		INSULATION	INSULATION CRIMP			TRACTION FORCE (N)		
		WIDTH	HEIGHT		SURFACE	WIDTH	HEIGHT	WIRE 1	WIRE 2	WIRE 1+2
WIRE TYPE	mm ²	N±0.1	M±0.05	∅ ^{+0.1} _{-0.05}	TO CRIMP	P±0.1	L±0.1	WIRE 1	WIRE 2	WIRE 1+2
1R1+2R1	2.76	3.70	2.15	3.3	8.55	4.86	4.5	>140	>200	>300
3R1	3.02	3.70	2.25	3.2	8.04	4.82	4.38	>300	-	-
1.4R1+2R1	3.17	3.71	2.25	3.5	9.62	4.9	4.6	>180	>220	>340
3R1S/3R3S/3R4S	3.18	3.70	2.25	3.2	8.04	4.8	4.4	>300	-	-
0.6R1+3R1	3.61	3.72	2.3	/	/	4.9	4.65	>100	>280	>360
2R1+2R1	3.64	3.72	2.3	3.7	10.75	4.9	4.65	>220	>220	>400
1R1+3R1	3.95	3.72	2.35	3.8	11.34	4.9	4.7	>140	>280	>400
4R3S	3.95	3.72	2.35	3.6	10.18	4.85	4.7	>400	-	-
1.4R1+3R1	4.36	3.72	2.36	3.9	11.95	4.92	4.7	>180	>280	>440
5R1S/5R3S/5R4S	4.95	3.70	2.5	3.9	11.94	4.8	4.7	>450	-	-
3N1	3.02	3.70	2.25	3.7	10.75	4.9	4.65	>300	-	-
4N1	/	/	/	/	/	/	/	/	/	/
5N1	4.65	3.72	2.43	4.4	15.2	4.9	4.85	>450	-	-
2.5 ID ZH	2.62	3.68	2.15	2.8	6.16	4.8	3.95	/	/	/
6 □	5.45	3.73	2.6	4.1	13.2	4.94	5	/	/	/
1+2.5 ID ZH	3.55	3.70	2.29	3.5	9.62	4.9	4.6	/	/	/
4 ID ZH	3.96	3.71	2.35	3.6	10.18	4.85	4.7	>400	/	/
6 ID ZH	5.94	3.74	2.65	4.1	13.2	4.94	5	/	/	/

1. APPLICATE TOOL INFORMATION REFER TO DRAWING C-1544218
2. PACKAGE REFER TO TE SPEC 107-15606 PART 1544218-1. QUANTITY: 1700 PCS/REEL

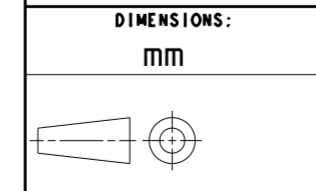
PRE TIN	COPPER ALLOY	2328653-1
PLATING	MATERIAL	P/N

THIS DRAWING IS A CONTROLLED DOCUMENT.

DWN	J.GU	15JAN2018
CHK	E.JIANG	23JAN2018
APVD	I.YIN	23JAN2018



NAME NG1 6.3mm TAB PIN UNSEALED



DIMENSIONS:	TOLERANCES UNLESS OTHERWISE SPECIFIED:
mm	±0.3
	±0.1
	±0.05
	±0.001
	±0.0001
	±3°

PRODUCT SPEC	-
APPLICATION SPEC	-

SIZE	CAGE CODE	DRAWING NO	RESTRICTED TO
A2	00779	C-2328653	

MATERIAL	-
FINISH	-

WEIGHT	1.5g
CUSTOMER DRAWING	

SCALE	5:1	SHEET	1 OF 1	REV	2
-------	-----	-------	--------	-----	---